

THIS DRAWING IS UNPUBLISHED. RELEASED FOR PUBLICATION
 © COPYRIGHT BY TYCO ELECTRONICS CORPORATION. ALL RIGHTS RESERVED.

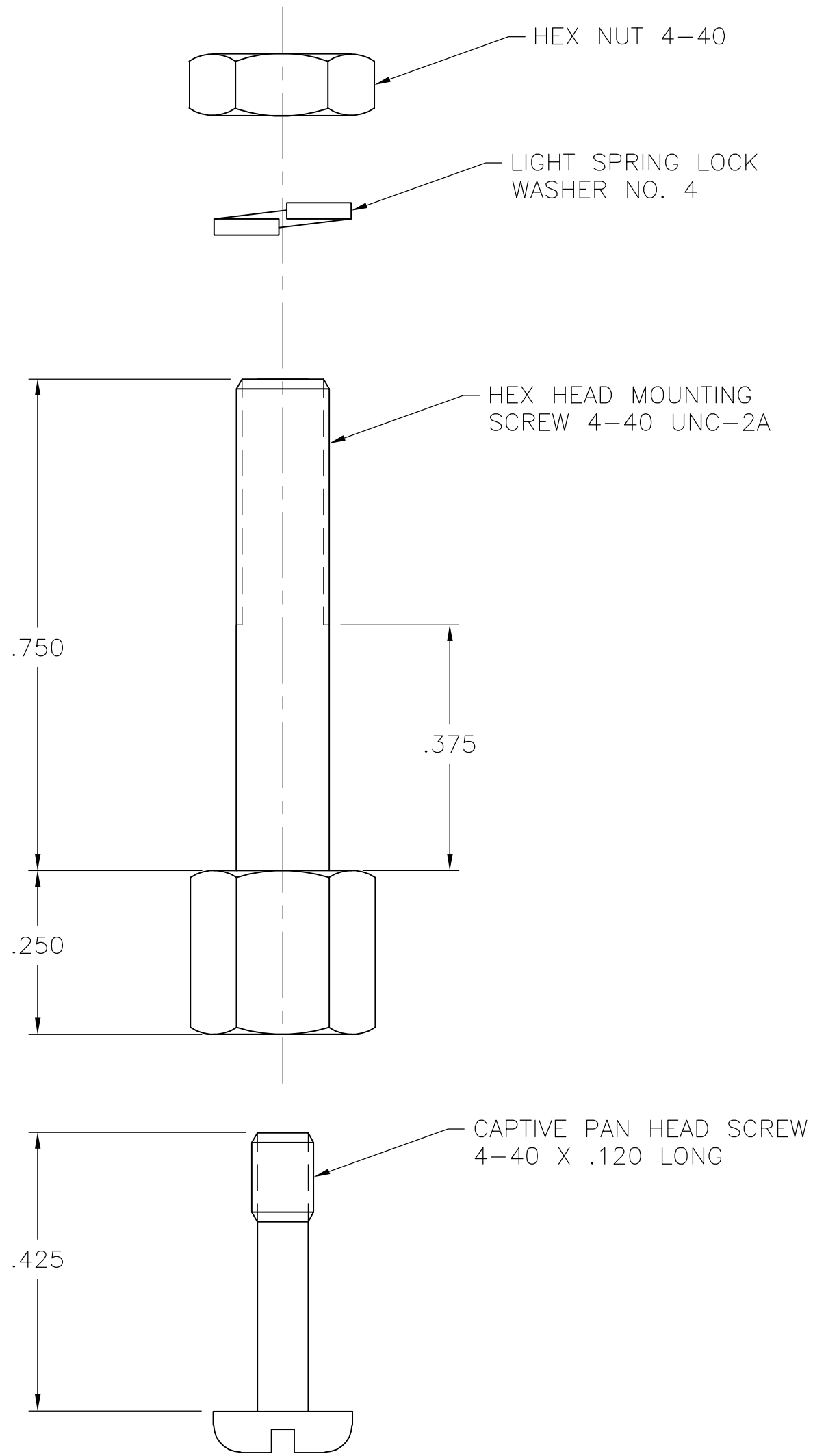
LOC	DIST	REVISIONS			
P	LTR	DESCRIPTION	DATE	DWN	APVD
GP	00	0	RELEASED PER EC 0513-0288-05	03OCT05	BM WM

1. ALL DIMENSIONS SHOWN ARE FOR REFERENCE ONLY UNLESS OTHERWISE SPECIFIED.

2. 2 REQUIRED OF EACH COMPONENT PER KIT.

3 MATERIAL:

PAN HEAD SCREW: ZINC PLATED STEEL.
 LOCKWASHERS: PASSIVATED STAINLESS STEEL.
 HEX HEAD SCREW: BRASS WITH CHROME PLATE.
 HEX NUT: PASSIVATED STAINLESS STEEL.



AS SHOWN	5552563-1
DESCRIPTION	PART NUMBER

THIS DRAWING IS A CONTROLLED DOCUMENT.		DWN	B. MCMASTER	03OCT05	 Tyco Electronics Corporation Harrisburg, PA 17105-3608
DIMENSIONS: INCHES		CHK	W. MILLHIMES	03OCT05	
TOLERANCES UNLESS OTHERWISE SPECIFIED:		APVD	W. MILLHIMES	03OCT05	
0 PLC ± - 1 PLC ± - 2 PLC ± - 3 PLC ± - 4 PLC ± - ANGLES ± - FINISH		PRODUCT SPEC	NAME	HARDWARE KIT, SCREW LOCK, VERTICAL MOUNTING, CHAMP	
MATERIAL	3	WEIGHT	-	SIZE	A2
CUSTOMER DRAWING		SCALE	5:1	CAGE CODE	00779
		DRAWING NO	C=5552563	DRAWING NO	C=5552563
		RESTRICTED TO	-	SHEET	1 of 1
		REV	0		